

SFM-16

Roll Beading | Flaring | SAE Beading | Grooving | V-Band Type Beading
Spherical Beading | Large Beading | Knurling

SPECIFICATIONS

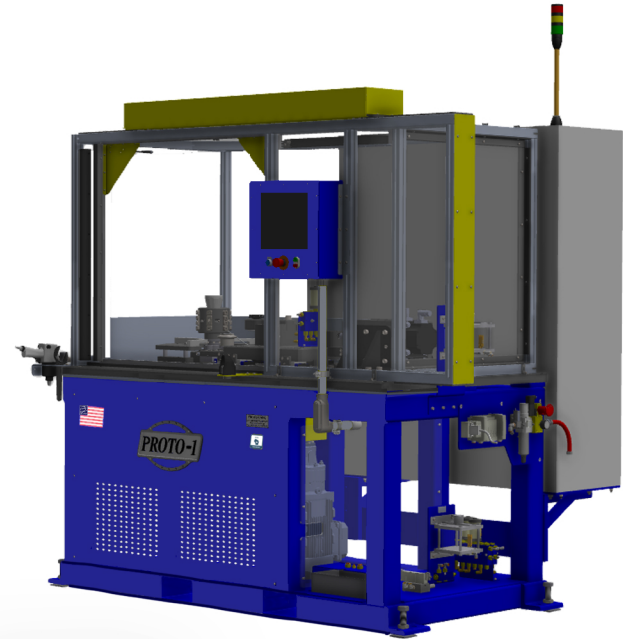
Tube Diameter: 9.0" - 16.0" depending upon endform and material
Tube Wall Thickness: .020" - .125" depending upon endform and material
Cycle Time: 10-30 seconds depending upon end form and material
Dimensions: 92.0" Length x 70.0" Width x 98.5" Height
Power: 480v | 3 Phase | 60 hz

TOOLING OPTIONS

Each production tool is designed, manufactured, and is customized for each project made for a repeatable process.

SAFETY & OPTIONAL FEATURES

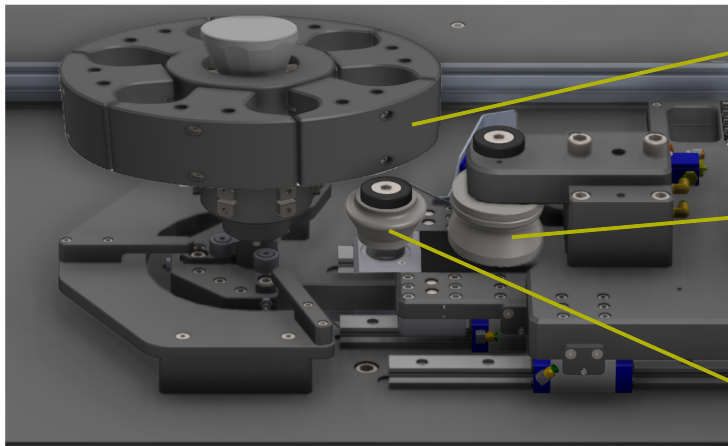
Light Curtains | Emergency Stop
Pneumatic Lockout | Electrical Lockout
UL or CUL Certification | Custom Power Options
Custom Control Options | Custom Fixture Options



FAST TECHNOLOGY

Position Monitoring
HMI Diagnostic Monitoring

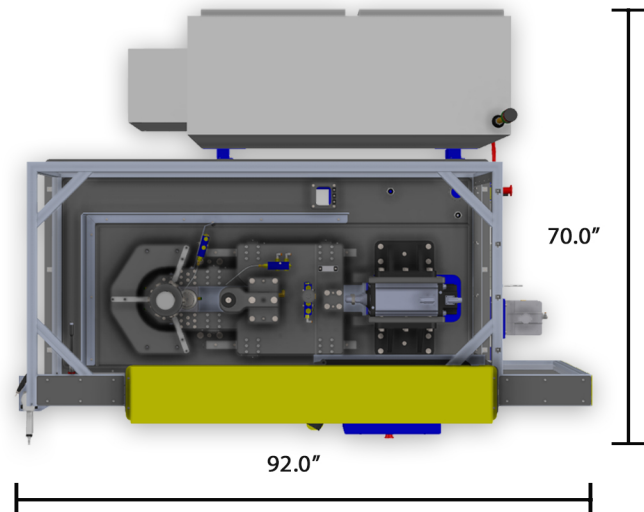
Spin Forming Tool



Clamp Pads

Outside Roller

Inside Roller



70.0"

92.0"