

SL-300-2 SLOTTING MACHINE



Specifications:

Tube Diameter: 1.0" – 3.0"

Tube Wall: .020" - .083"

Cycle Time: 2 - 4 seconds

Dimensions: 33.1" L x 60.6" W x 49.7" H

Standard Features:

Warranty: One year from date of purchase

Voltage: Standard (480vac)

Controls: Allen Bradley micro logic 1400 PLC

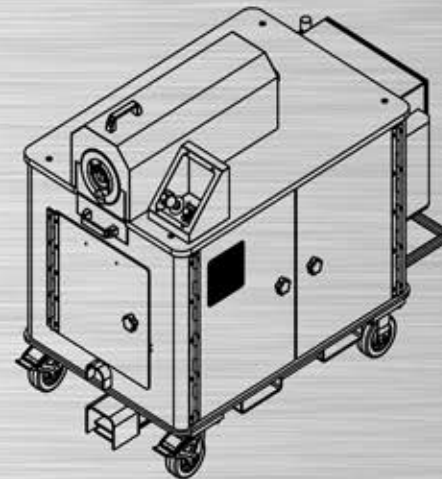
Operational Screen: Maple System HMI touchscreen

Safety Features:

RFID switch on hood to stop energy when opened

Lock-out point at the disconnect switch on electrical box

E-Stop on control panel



Proto-1 Manufacturing
10 Tower Road
Winneconne, WI 54986

P: 920.582.4491
F: 920.582.4492
E: sales@proto1mfg.com